

# Door frame assembly tools

Now even easier and more flexible!



Simply better.



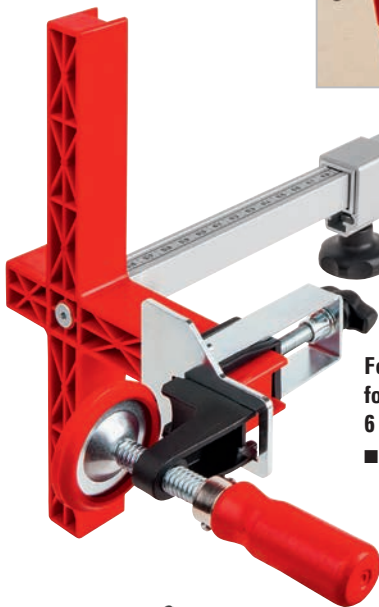
## Door frame clamp TU optimized now to insert the door frame more easily

- due to removable clamping bracket with increased clamping surfaces and removable brackets



## Door frame brace extension TUX for extra-wide doors to be installed

- accessories to increase the opening width of the TU door frame brace



## Precision work

- due to telescopic square anodised aluminium tubing with mm scale and adjusting screw

## For sensitive door frames for frame depths of 6 to 13 cm or 13 to 30 cm

- due to cross-shaped pressure plate with interchangeable clamping elements



## TU-TRAGE includes 6 door frame clamps in a nylon wheeled case

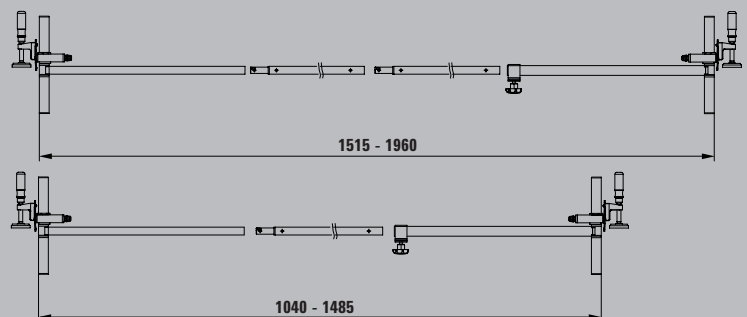
- for safe and dustfree storage
- for easy transport
- for stowing further products of the BESSEY door frame assembly system

### Door frame clamp TU and TU-TRAGE

Order-No.	Opening mm	Contents/pc.	⚖️ kg	📦 qty.	V3
TU	565-1010	--	1.27	2	
TU-TRAGE	565-1010	6 door frame clamps in nylon case for a total of 3 doors	9.90	1	

### Door frame brace extension TUX

Order-No.	Opening mm	Contents/pc.	⚖️ kg	📦 qty.	V3
TUX	1040-1960	2 extension rods	0.37	1	

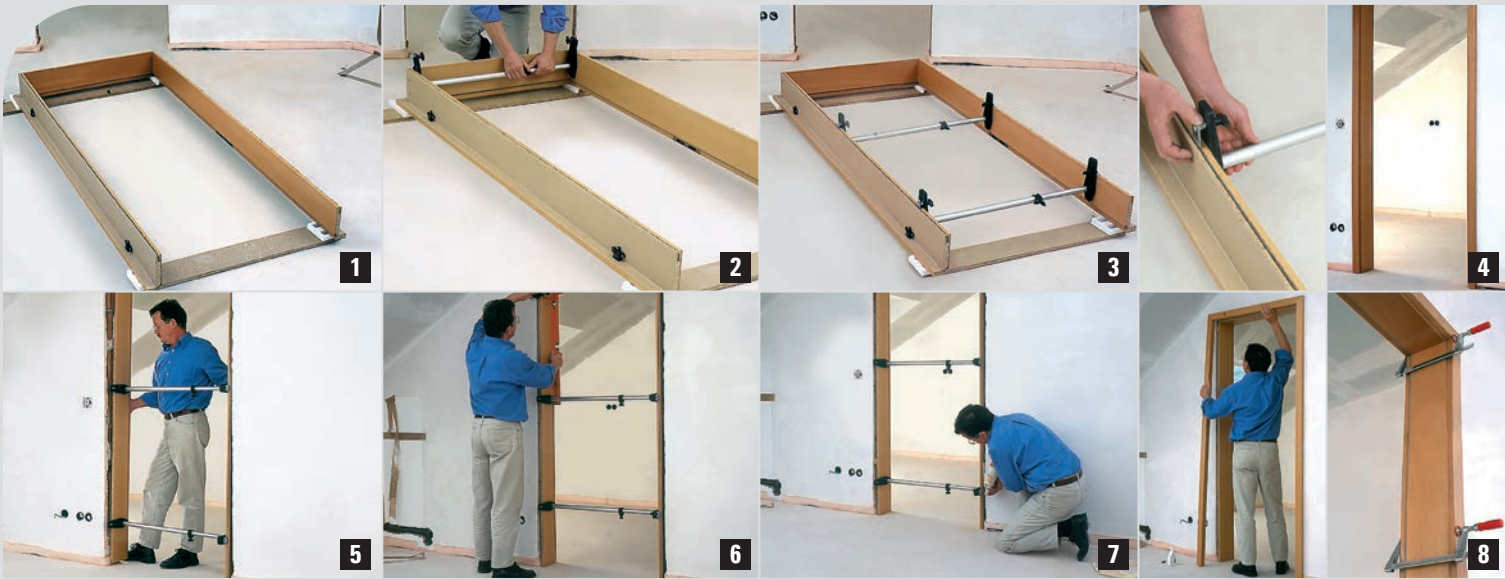


# Door frame assembly tools

Now even easier and more flexible!



Simply better.



- "Gently and precisely" braces and supports door casing during foam filling of wall joint
- Precision work
- Low weight

## Door frame assembly device TMS



Order-No.	Opening			
	mm	kg	qty.	V3
TMS	560-1010	0.68	6	

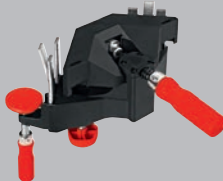
## Door frame straightening clamp TFM



Order-No.	Adjusting range	Throat depth			
	mm	mm	kg	qty.	V3
TFM	35	70	0.58	2	

- For quick, precise aligning and fixing of door frames
- The intelligent companion for the BESSEY door frame clamp TU and TMS

## Angle door frame straightening clamp WTR



Order-No.	Spannweite Futterstärke	Verstellweg			
	mm	mm	kg	qty.	V3
WTR	8-30	32	1.05	2	

- For neatly fixed and stabilised frame corners
- For mounting at a precise 90° angle



<http://www.bessey.de>



<https://www.facebook.com/BESSEY.Tool.Einfach.Besser>



<http://www.youtube.com/user/besseytoolsdeutsch>



<http://newsletter.bessey.de>

BESSEY Tool GmbH & Co. KG ■ Mühlwiesenstr. 40  
74321 Bietigheim-Bissingen, Germany  
Fon +49 (0)7142 401-0 ■ Fax +49 (0)7142 401-452  
E-Mail: [info@bessey.de](mailto:info@bessey.de)

Your dealer: